

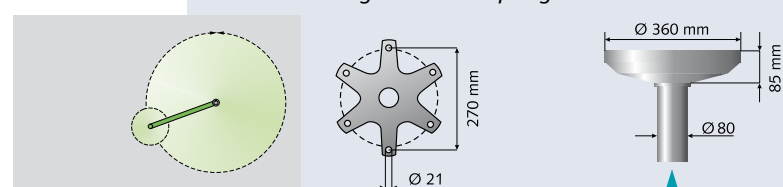
**Technical datas:**

Type	FIBULA 400	FIBULA 300
Model	Ceiling and wall mounted version	Ceiling and wall mounted version
Payloads	8-15 kg / 15-32 kg / 30-40 kg	7-11 kg / 12-18 kg / 17-30 kg
Electric	3- or 5-pole rotation commutator	3- or 5-pole rotation commutator
with rotational stop	Cable installation possible	Cable installation possible
Cable routing	450 mm <sup>2</sup>	384 mm <sup>2</sup>
Cable equipment	Examples for max. equipment: 2 cables each Ø 12 mm plus 2 cables each Ø 6,5 mm	Examples for max. equipment: 1 cable Ø 9 mm plus 1 cable Ø 6 mm plus 2 cables each Ø 5 mm
Colours	RAL 9010, 9002 (other colours on request)	RAL 9010, 9002 (other colours on request)
Certificates	VDE, CE, UL	VDE, CE, UL

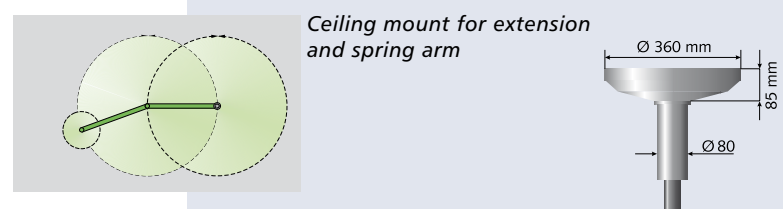
**Basic components ceiling mount:**

**Ceiling plate:**

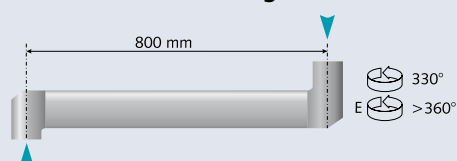
Ceiling mount for spring arm



Ceiling mount for extension and spring arm



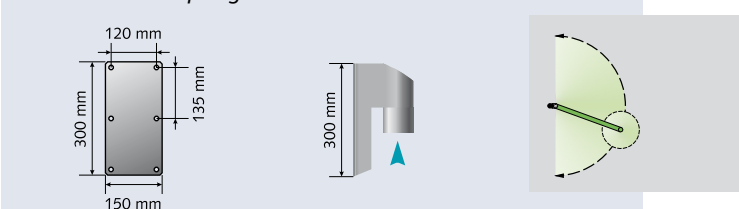
**Extension arm for ceiling mount:**



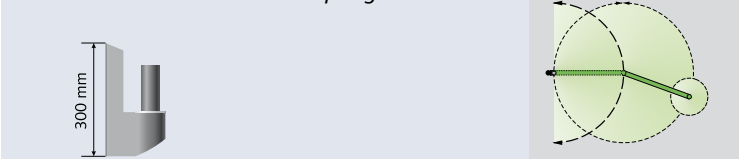
**Basic components wall mount:**

**Wall mount:**

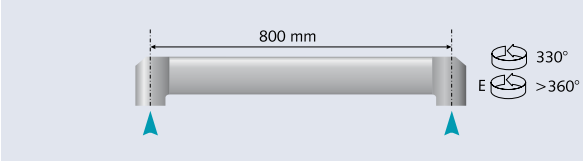
Wall mount for spring arm



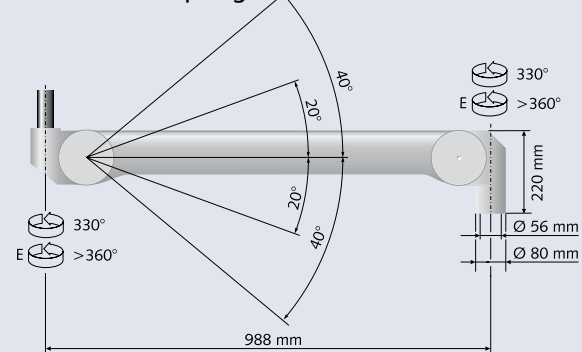
Wall mount for extension and spring arm



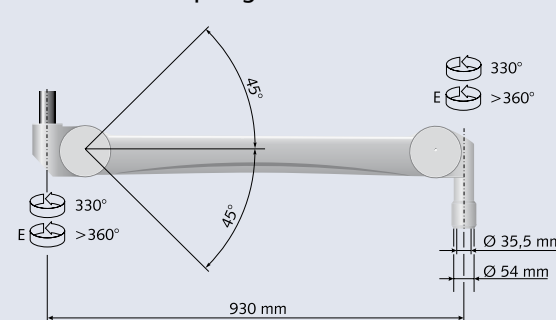
**Extension arm for wall mount:**



**FIBULA 400 Spring arm**



**FIBULA 300 Spring arm**



Additional to this program, we are able to deliver service heads, e-boxes, monitor yokes and TFT-Adapters.

**MEDGAS-TECHNIK**  
Medical - Technology

MEDICAL INSTALLATION,  
CONSTRUCTION AND EQUIPMENT

Medgas-Technik GmbH  
Lahnstraße 6-8  
56370 Berndroth  
Germany  
Phone +49 (0) 64 86 / 91 10 60  
Fax +49 (0) 64 86 / 91 10 62  
E-Mail info@medgas-technik.de  
www.medgas-technik.de

The quality management system at Medgas Technik GmbH is certified according to ISO 13485, ISO 9001 and Annex II of Directive 93/42/EEC (Medical devices).

# PERFECT MOVEMENT



Pendant systems for ceiling and wall mounting

up to 40 kg  
up to 30 kg

## FIBULA 300 / FIBULA 400

Pendant systems from 7 to 40 kg (15 to 88 lbs)

**MEDGAS-TECHNIK**  
Medical - Technology

# Medium Duty Systems

# FIBULA 300 / FIBULA 400

Moving technology for:

**Monitors, TFT-monitors, Camera systems, OR-lights, Service heads and Yokes**

**In the medical field**

Support of medical devices, used in:

- OR's / operation theatres
- ICU (intensive care units) and CCU
- Nursing
- Patient rooms

**Modular components**

consisting of:

- Ceiling mount
- Wall mount
- Extension arm
- Height adjustable spring arms

**Load capacity up to 40 kg (88 lbs)**

It is possible to mount equipment with a net weight from 7 up to 40 kg (15 up to 88 lbs)

**Smooth and comfortable movement**

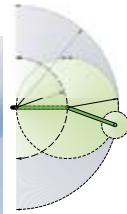
- Premium bearings
- Perfect parallel guidance during vertical movement
- Easy to move
- Articulation forces < 20 N
- Stays stable in every position

**Internal cable channels**

- Easy on-site routing of cables through all components



FIBULA 400 - with M-Yoke



FIBULA 400 - with central axis



FIBULA 400 - wall mounted

**Basic components for FIBULA 300 and FIBULA 400**

Application of spring arms according to the type of mounting are:

- Wall mount
- Extension arm for wall mount
- Ceiling mount
- Extension arm for ceiling mount
- Extension arm for central axis



FIBULA 300 with OR-light

**FIBULA 300 up to 30 kg (66 lbs)**

- Casing with plastic covers
- Power and signal transfer with 3- or 5-pole commutators, >360° rotation possible
- Optional: integrated rotation stops inside the bearings
- Adjustable vertical stop
- Easy spring adjustment without dismantling

**FIBULA 400 up to 40 kg (88 lbs)**

- Aluminium bearings
- Casting with plastic covers
- Integrated assembly window (for cable installation)
- Large inner cross section for cables
- Optional: integrated rotation stops inside the bearings
- 3 locking positions within vertical movement
- Power and signal transfer with 3- or 5-pole commutators, >360° rotation possible (optional)
- Easy spring adjustment without dismantling the arm



FIBULA 300



FIBULA 400 - wall mount for spring arm with locking button

**Connection of end devices**

- Flat screen monitors with VESA-standard
- Special connection pieces
  - Vario-View single, double or triple

Electro medical devices

- CRT-monitors
- C-Yokes
- M-Yokes

Gas- and electric supply

- E-Box (gas and electric supply)
- Infusion heads (electric)



up to 40 kg (88 lbs)  
up to 30 kg (66 lbs)



FIBULA 400 - Locking in different positions possible

