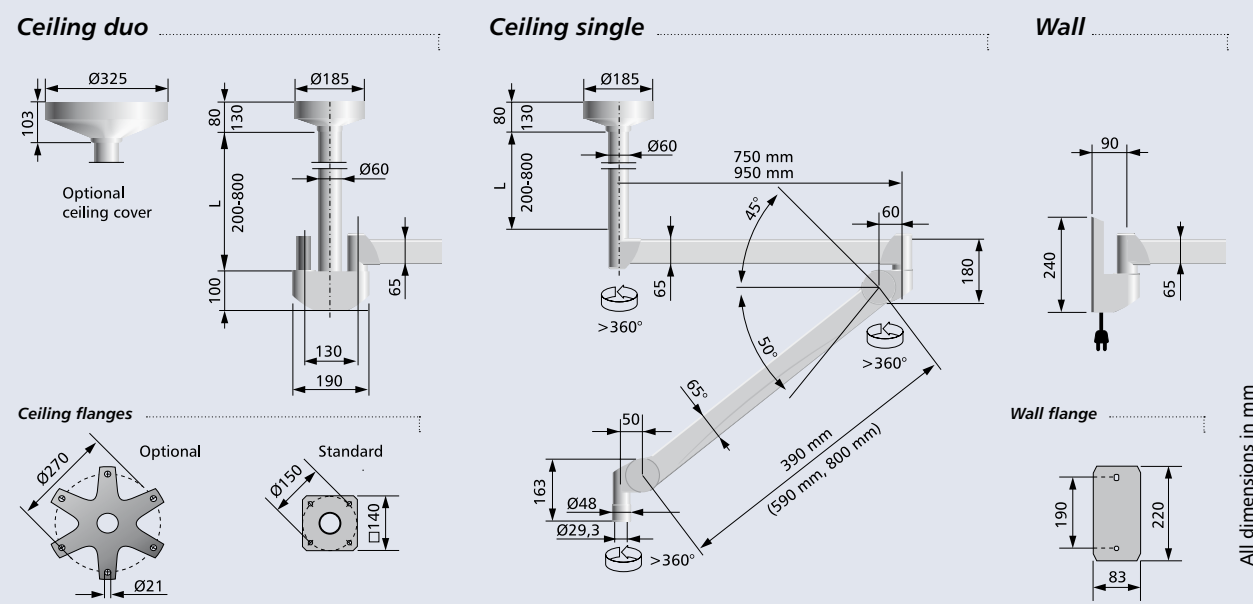
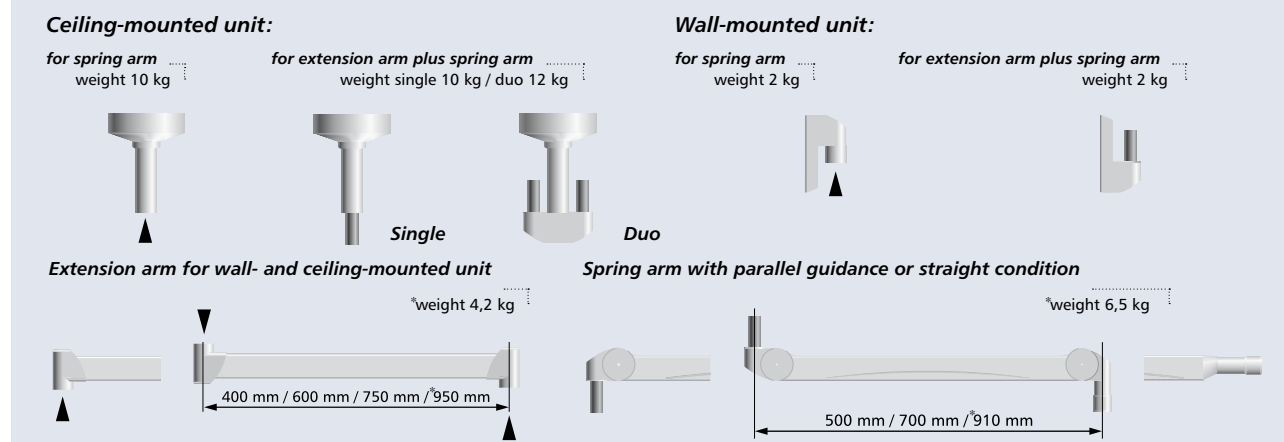


Technical data:

Type	FIBULA 200	Electricity - non-stop	– 3-pole coupler: 230 V, 16 Amp.
Model	Ceiling and wall mounted		– 5-pole coupler: 230 V, 16 Amp.
Load max.	21 kg or 2 x 18 kg with Ceiling duo		2 signal contacts 50 mA - 2 A 5-24 V
Weight ranges	1.5-3.5 / 3.5-7 / 3-6 / 7-12 / 8-13 / 9-15		– 7-pole coupler: 230 V, 16 Amp.
Extension arms	750 or 950 mm		4 signal contacts 50 mA - 2 A 5-24 V
Initiating force at Features	≤ 2N		– 9-pole coupler: 230 V, 16 Amp.
Tensile safety factor	4-times total load against yield strength according to EN 60601	with stop	6 signal contacts 50 mA - 2 A 5-24 V
Mark of conformity	CE	Fixing	2 cables of each max. Ø 9 mm
Test symbol	UL		Interfaces, connection elements or individual adapter elements for equipment
Colours	RAL 9010, 9002 (other colours on request)		



System overview:

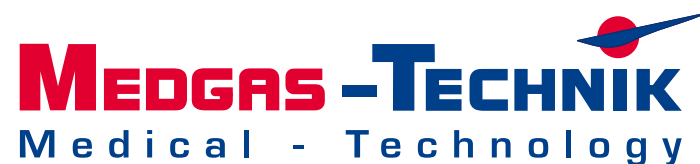


PERFECT MOVEMENT



FIBULA 200

Pendant system from 1 to 21 kg



MEDICAL INSTALLATION,
CONSTRUCTION AND EQUIPMENT

Medgas-Technik GmbH
Lahnstraße 6-8
56370 Berndroth
Germany

Phone + 49 (0) 64 86 / 91 10 60
Fax + 49 (0) 64 86 / 91 10 62
E-Mail info@medgas-technik.de
www.medgas-technik.de

The quality management system at Medgas Technik GmbH is certified according to ISO 13485, ISO 9001 and Annex II of Directive 93/42/EEC (Medical devices).



Light Duty Systems

FIBULA 200

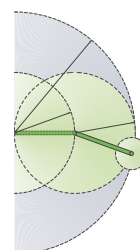
Movement technology for

Light and Camera systems, Medical apparatus, Flat screen monitors ...

FIBULA 200 is a pendant system for weights from 1 to 21 kg. It has been specially developed for the convenient handling of lights, cameras, medical apparatus and flat screen monitors. The system allows an easy and smooth movement of the adapted equipment. The new optimal dead center suppression guarantees complete ease of use. The standard FIBULA 200 system is equipped with extension and spring arm with exact parallel guidance.



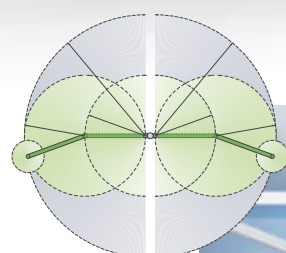
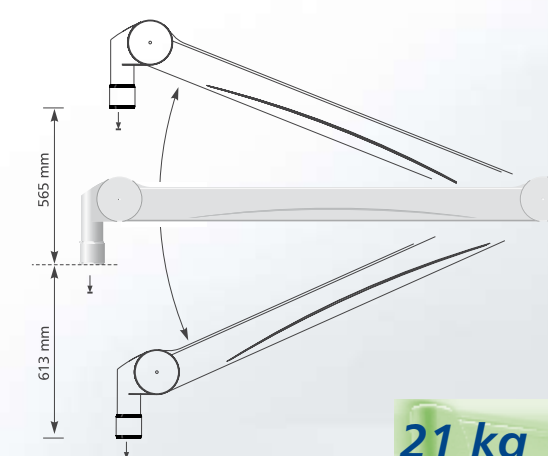
FIBULA 200 wall-mounted with Vario-View, bracket for flat screen monitors



Load and height adjustment can be changed at any time without dismantling the system.

Exact parallel guidance keeps brackets constantly horizontal, lights can be held exactly to their point of focus while being adjusted.

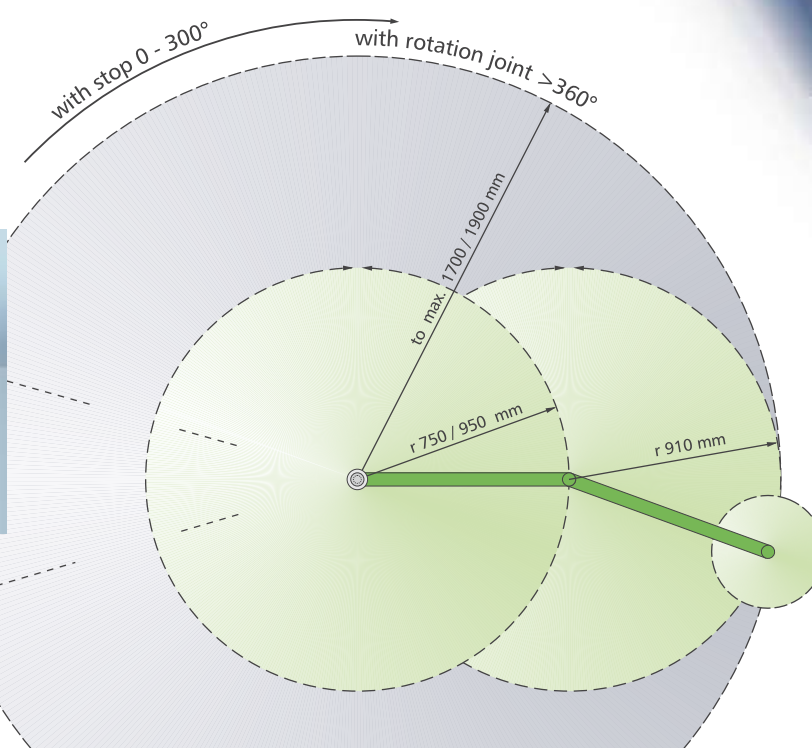
In case of low room heights, the use of the spring arm in the straight condition offers important advantages. Without parallel guidance, this arm requires less head-room.



Dual version of FIBULA 200 with OR light and C-bracket for TFT monitors and other equipment



FIBULA 200 ceiling-mounted as single version



1 to 21 kg



Non-stop rotation thanks to slip ring connectors in the rotation joints. We supply 3-, 5-, 7- and 9-pole couplers for transmission of mains current and signals.



With the FIBULA 200 individual customer variants can be realised. Interchangeable plastic covers mean that clients' specific colour and design requirements can be fulfilled.



We provide several interfaces for the connection of devices like OR lights and flat screen monitors with FIBULA 200. With the combination of extension arm, spring arm and interface you are able to bring the devices in any position which is required.