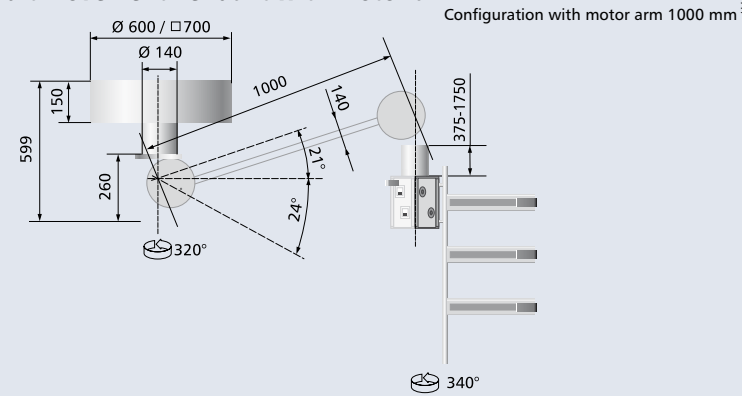


Technical Data:

Type	HUMERUS 500	HUMERUS 500	HUMERUS 500
Product:	Motor arm	Spring arm	Extension arm
Lengths:	750 mm, 1000 mm	1000 mm	600, 800, 1000, 1200 mm
Load capacity:	up to 120 kg	20 - 35 kg 35 - 50 kg 50 - 70 kg 70 - 85 kg	
Movement angle:	320°	320°	340°
Vertical lift:	700 mm	700 mm	
Opening for routing lines:	66,56 cm ²	66,56 cm ²	66,56 cm ²
Power supply:	230 V 50 Hz / 120 V 60 Hz		
Motor power:	170 W		
Height adjustment:	motorised	by spring force	
Brake type:	pneumatic	pneumatic	pneumatic
Stops:	dampened	dampened	dampened
Initiating forces:	< 50 N	< 50 N	< 50 N
Approvals:	VDE, UL, CE		
Colours:	Powder coated surface RAL 9010, 9002 (other RAL-colours on request)		

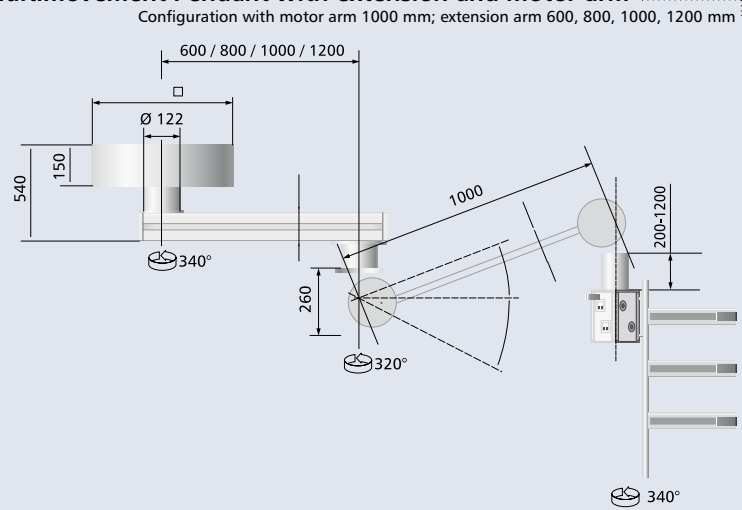
Multimovement Pendant with motor arm



Max. load capacity

Configuration	Load capacity motor arm	Load capacity spring arm
Single arm		
750 mm	120 kg	
1000 mm	90 kg	20-35 kg 35-50 kg 50-70 kg 70-85 kg
Dual arm		
600 / 750 mm	120 kg	
800 / 750 mm	120 kg	
600 / 1000 mm	90 kg	up to 85 kg
800 / 1000 mm	90 kg	up to 85 kg
1000 / 1000 mm	75 kg	up to 85 kg
1200 / 1000 mm	65 kg	up to 75 kg

Multimovement Pendant with extension and motor arm



Additionally we offer service heads and accessories. Please see our separate brochure for details.

MEDGAS-TECHNIK
Medical - Technology

MEDICAL INSTALLATION,
CONSTRUCTION AND EQUIPMENT

Medgas-Technik GmbH
Lahnstraße 6-8
56370 Berndroth
Germany
Phone + 49 (0) 64 86 / 91 10 60
Fax + 49 (0) 64 86 / 91 10 62
E-Mail info@medgas-technik.de
www.medgas-technik.de

The quality management system at Medgas Technik GmbH is certified according to ISO 13485, ISO 9001 and Annex II of Directive 93/42/EEC (Medical devices).

PERFECT MOVEMENT



Pendant System for ceiling mounting

up to 120 kg

HUMERUS 500

Pendent System for up to 120 kg (265 lbs)

MEDGAS-TECHNIK
Medical - Technology

Heavy Duty Systems

Movement technology for

Surgery - HF Surgery, Monitoring, Endoscopy - and Anaesthesia

The Versions...

HUMERUS 500 is a height adjustable motor arm for loads up to 120 kg (265 lbs).
HUMERUS 500 is also available as a height adjustable spring arm for loads up to 85 kg (185 lbs).

The Multimovement pendant can be configured as a single or dual arm system - according to the requirements of mobility:

- Single arm system with motor arm or spring arm
- Dual arm system with motor arm/spring arm and extension arm

Due to the modular construction the pendant systems are available as single or duo version as well as in combination with the pendant systems MAXIMUS 1000, MAXIMUS 2000, HUMERUS 1000 and FIBULA.

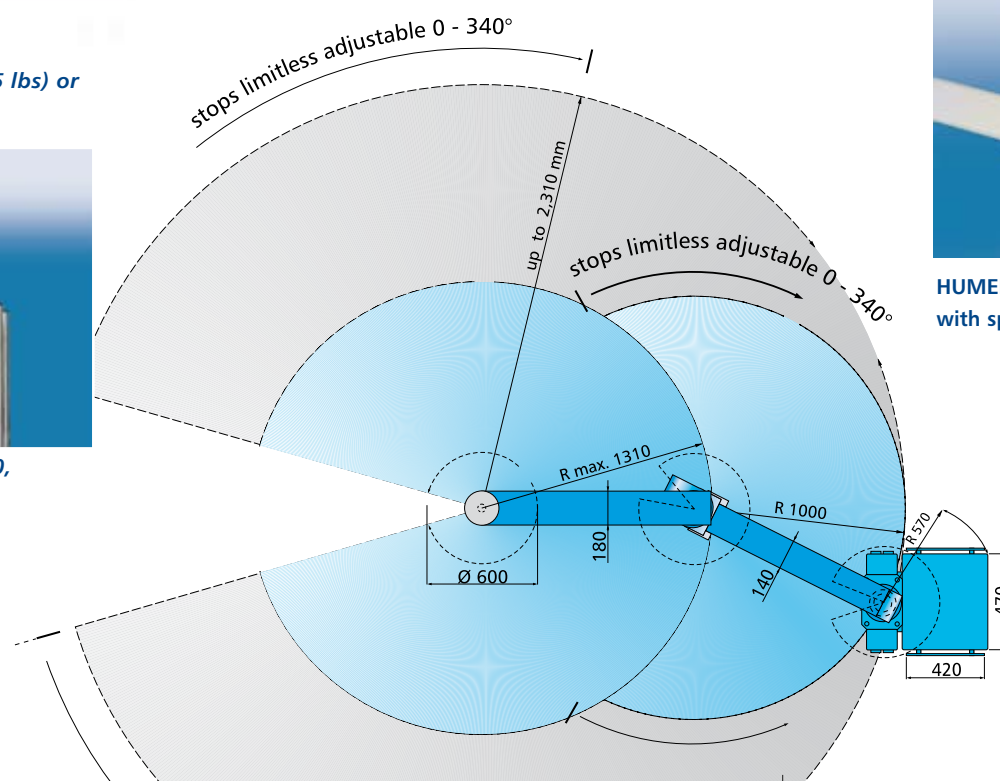
Large inner cross sections of 66.56 cm² in the extension arm and the motor arm/ spring arm allow routing of multiple cables and services.



Motor arm 750 mm up to 120 kg (265 lbs) or 1,000 mm up to 90 kg



... or with extension arms of 600, 800, 1,000 and 1,200 mm



up to 120 kg (265 lbs)

HUMERUS 500

Pendant system for a maximum freedom of movement

Usability...

The Multimovement Pendant offers optimal freedom of movement at the work place due to its height adjustability. After use all end devices on the Multimovement Pendant can be moved out of the user's radius of operation by moving the arm above the user.
Adjustment to the room height is achieved by variable drop tubes with lengths of 50-500 mm. All required devices are quickly available thanks to the quick lifting time of 40 mm per second.



Flexibility...



HUMERUS 500 locking of vertical lift

The Multimovement Pendant offers an optimal horizontal and vertical flexibility due to its multitude of moveable axis and the height adjustment.

The motor/spring arm can be rotated by 340 degrees around one axis. The height is adjustable by 21 degrees up and 24 degrees down. The exact parallel routing of the motor/ spring arm ensures a constant viewing angle in any position. With the dual arm system motor/ spring arm and extension arm are rotatable around two horizontal axes. This increases the positioning possibilities.

90 kg

Smooth-running positioning...



HUMERUS 500 with spring arm

Due to little manual forces the pendant system can be positioned easily. Pneumatic brakes ensure that the selected position is retained. Dampened stops prevent a "harsh" impact.

Highest action ranges...

Combinations of motor/ spring arm and extension arm (e.g. 1,000 mm/1,200 mm allow highest action ranges of up to 2,300 mm. In combination with the service head range of 570 mm an overall radius of approximately 2,800 mm is possible.

