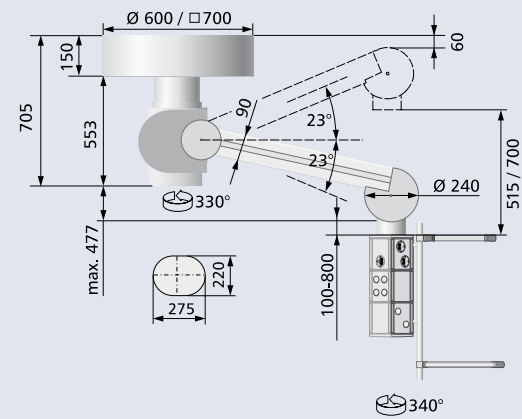


Technical data:

Type:	HUMERUS 1000	
Models:	Motorised arms	Extension arms
Length:	750 mm 1000 mm	600, 800, 1000, 1200 mm
Load max.:	200 kg 150 kg	.
Movement angle:	0 - 330° rotation horizontal, up and down +/- 23° out of middle position	0 - 330° rotation horizontal . . .
Vertical travel:	515 mm / 700 mm	.
Interior cross section:	Ø 120 mm or A = 110 cm ²	Ø 120 mm or A = 110 cm ²
Power supply:	AC 230 V or AC 120 V	.
Height adjustment:	motorised	.
Brake type:	pneumatic brake mechanical or pneumatic brake at Service Head MK	pneumatic brake Head MK
Stops cushioned:	yes	yes
Initiating force:	30 / 50 N	30 / 50 N
Mark of conformity:	CE	
Test symbol:	UL	
Colours:	RAL 9010, 9002 (other colours on request)	

Multimovement Pendant with motorised arm

Models motorised arms 750, 1000 mm

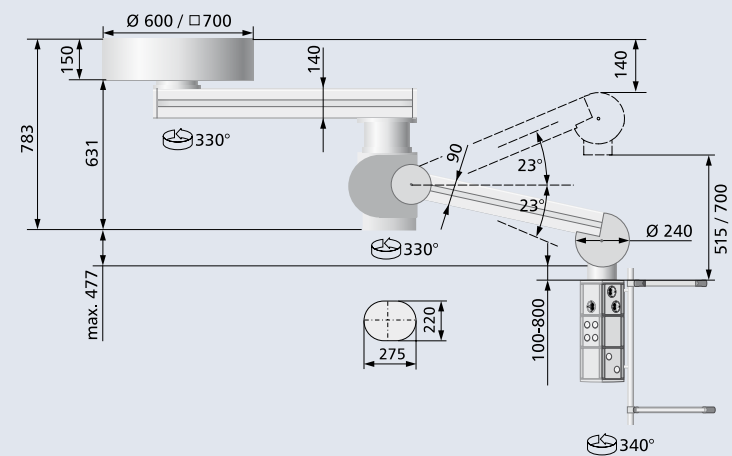


Static Forces and Turning Moments

Model	F	M	Load*
Motorised arm			
750 mm	4150 N	1500 Nm	200 kg
1000 mm	3670 N	1500 Nm	150 kg
Extension arm/ Motorised arm			
600 / 750 mm	4700 N	3100 Nm	200 kg
600 / 1000 mm	4300 N	2800 Nm	150 kg
800 / 750 mm	4750 N	3600 Nm	200 kg
800 / 1000 mm	4350 N	3200 Nm	150 kg
1000 / 750 mm	4400 N	3200 Nm	200 kg
1000 / 1000 mm	4400 N	3400 Nm	150 kg
1200 / 750 mm	4400 N	3200 Nm	190 kg
1200 / 1000 mm	4400 N	3200 Nm	150 kg

Multimovement Pendant with extension and motorised arm

Models motorised arms 750, 1000 mm; extension arms 600, 800, 1000, 1200 mm



Insertable colour strip segments and housing parts for the motorised arm available in specific colours.

* according to EN 60601-1:2006

We also deliver our Service Head M6. Please see our separate brochure for details.



MEDICAL INSTALLATION,
CONSTRUCTION AND EQUIPMENT

Medgas-Technik GmbH
Lahnstraße 6-8
56370 Berndroth
Germany
Phone +49 (0) 64 86 / 91 10 60
Fax +49 (0) 64 86 / 91 10 62
E-Mail info@medgas-technik.de
www.medgas-technik.de

The quality management system at Medgas Technik GmbH is certified according to ISO 13485, ISO 9001 and Annex II of Directive 93/42/EEC (Medical devices).

PERFECT MOVEMENT



Heavy Duty Pendant System



Pendant system for ceiling mounting

up to 200 kg

HUMERUS 1000

Pendant system for up to 200 kg



Heavy Duty System

HUMERUS 1000

Movement technology for

Surgery - HF Surgery, Monitoring, Endoscopy - and Anaesthesia

HUMERUS 1000...

A motor arm with an electrical height adjustment, for loads up to 200 kg. The multimovement pendant sets standards in its class. It offers applications because of its high carrying capacity and the large interior cross section of 110 cm² for

supply lines. An extremely quiet electric motor reduces noise to a minimum, dampened stoppers and very low hand forces for horizontal movements contribute to an ergonomically optimised workplace. With the Service Head MK and its modular construction any workplace can be configured according to the respective discipline and the on-site conditions.

Carrying system for maximum freedom of movement



Surface, hygiene and ergonomics

When developing the system, hygiene and ergonomics were of particular importance. Smooth surfaces and enclosed joints meet the highest hygiene requirements. Simple handling, very easy horizontal moving and very quiet adjustments with the electric motor set the standard as far as ergonomics are concerned.



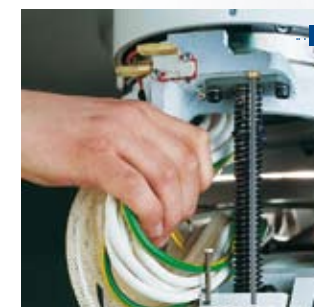
Interfaces and corrective adjustments

All interfaces of the system are equipped with flanges to reduce play to a minimum, even with high loads. With a precision of adjustment of +/- 1 degree the system can always be set exactly horizontal, even at load limits. The flange for ceiling mounting is adjustable for easy height adjustment when assembling on site.



Advanced movement technology

Modern and very quiet, high performance motors as well as special spindles are used to realise precise and steady movement. As a safety feature the motor is equipped with an overload protection. The new patented pneumatic brake system can be used for pressure supply systems with 5 - 8 bar.



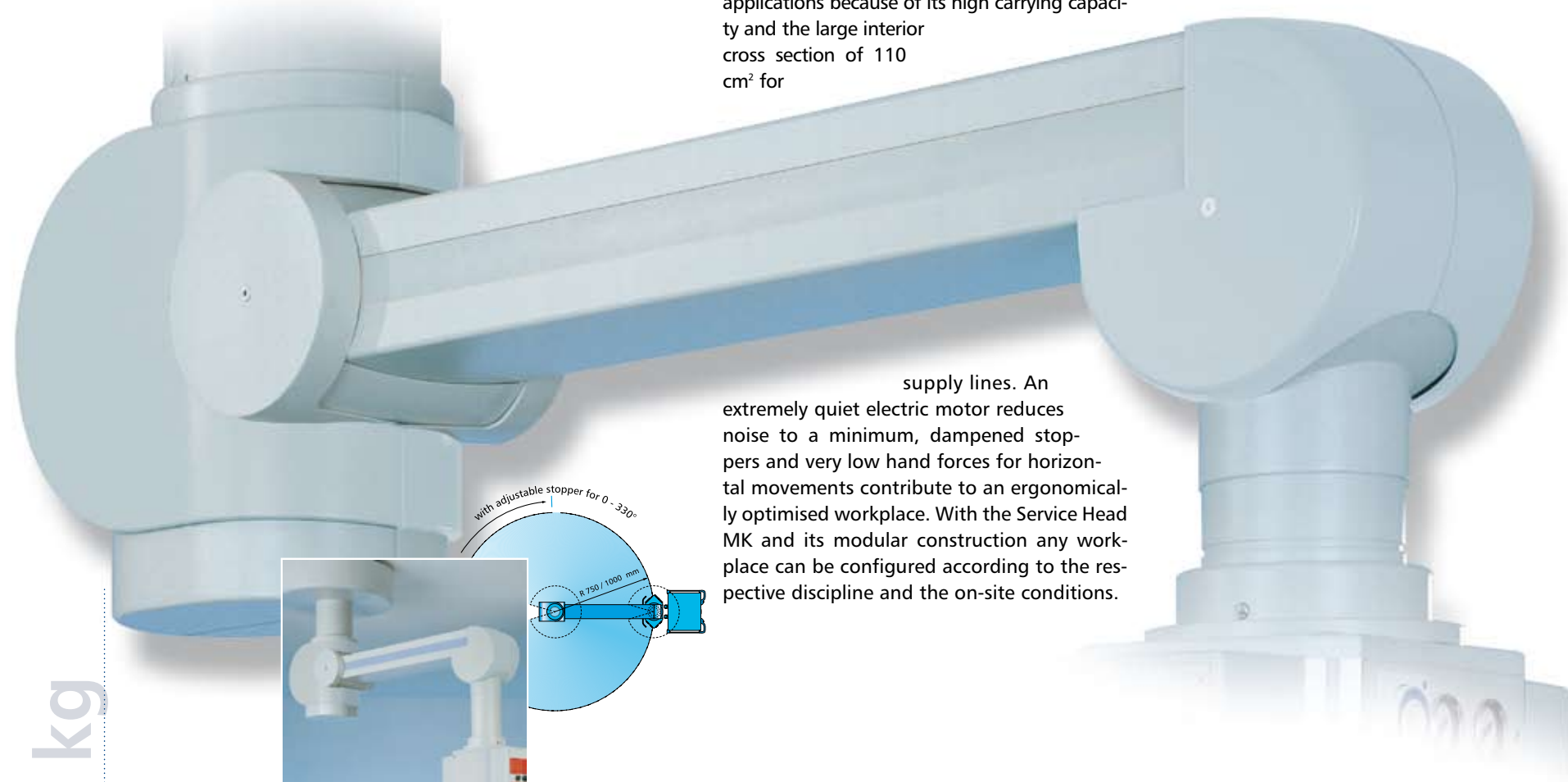
Large interior cross section and stoppers

The large interior cross section for supply lines offers completely new applications. Its diameter is Ø 120 mm. The stoppers are infinitely variable from 0-330 degrees. Dampened stoppers offer additional comfort to the user.



Platform for colour and design variants

The HUMERUS 1000 offers a platform fulfilling the customer's individual wishes. Replaceable plastic covers can be manufactured customer specified in various colour and design variants on an economically basis. Already a coloured strip would be a simple way of integrating this system into your corporate design.



up to 200 kg



Motorised arm 750 mm to 200 kg, vertical travel 515 mm, or 1000 mm to 150 kg, vertical travel 700 mm



... or additionally with extension arm of 600, 800, 1000 and 1200 mm length

