



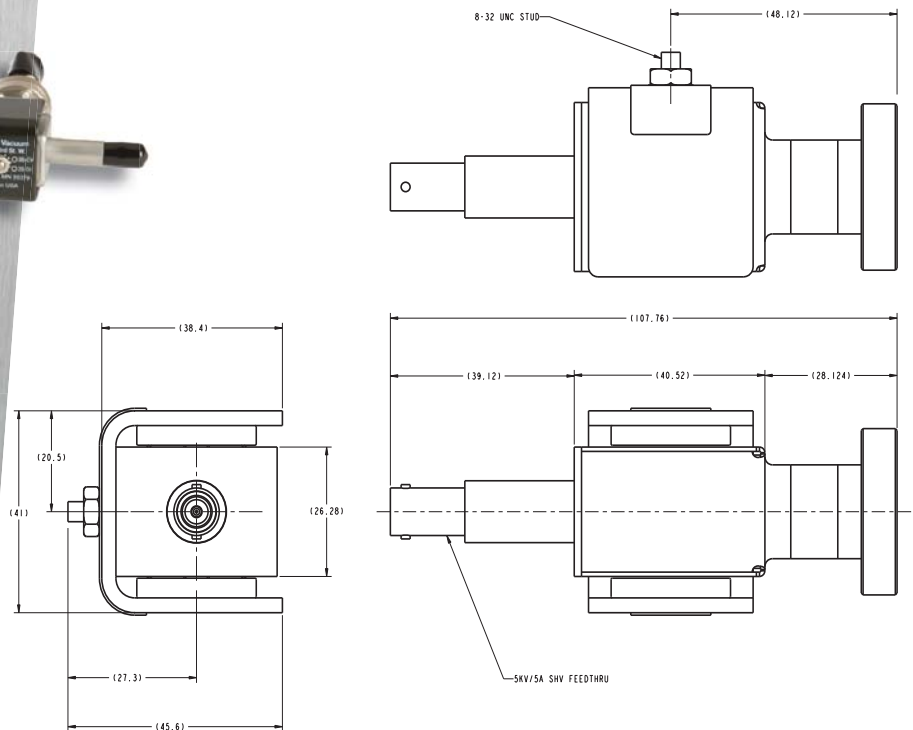
# TiTan™ 3S Ion Pump



## TECHNICAL SPECIFICATIONS

Element Type	CV	DI
Pumping Speed (l/s, Nitrogen)	3	2
Starting Pressure (mbar)	$\leq 1 \times 10^{-4}$	$\leq 1 \times 10^{-4}$
Lifetime (hours @ $10^{-6}$ mbar)	50,000	
Ultimate Pressure (mbar)	$< 1 \times 10^{-11}$	
Maximum Baking Temperature (°C)	95 / 450 (without magnets)	
Inlet Flange	DN 16 (1.33 in.) CFR	
Weight, kg (lbs)	0.35 (0.8)	

## DIMENSIONAL DETAILS\*



\*Single inlet flange shown. Alternative configurations available at [www.gammavacuum.com](http://www.gammavacuum.com)