

# HC-8E4 HELIUM COMPRESSOR



SHI Cryogenics Group's HC-8E4 compressor is specifically designed to operate most Marathon® CP cryopump models, as well as select 10K cryocoolers. Utilizing a hermetically sealed, water-cooled rotary compressor capsule designed exclusively to deliver high pressure oil-free helium to cryogenic refrigerators, the HC-8E4 compressor is a reliable and compact system for both small and large scale vacuum operations. The gas couplings, water fittings, cable receptacles, circuit breakers and fuses are conveniently located on the front panel for easy access.

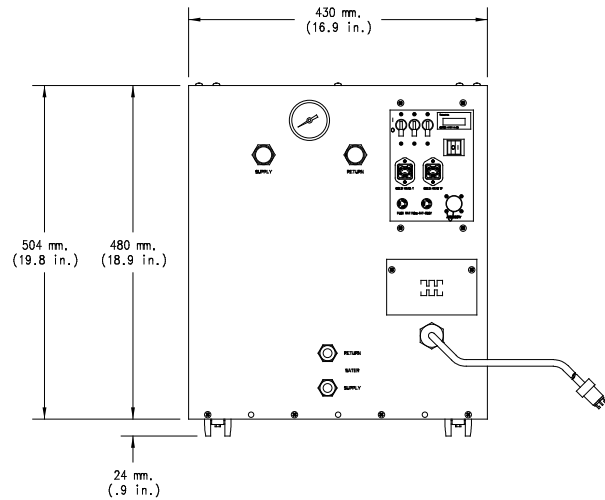
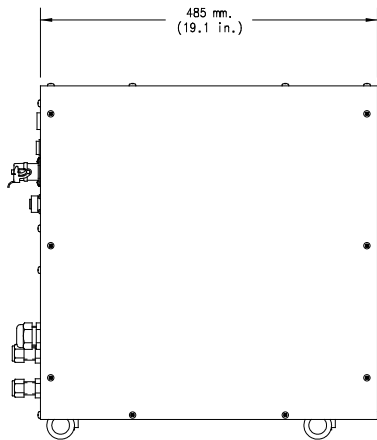
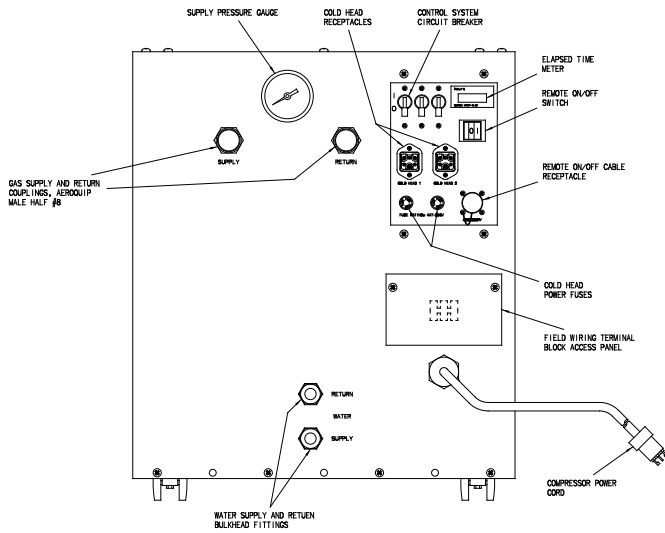
The HC-8E4 is capable of running one or two cryopumps and is equipped with features for remote operation. Like all SHI Cryogenics Group products, the HC-8E4 compressor is supported by a worldwide sales and service center network.

## Features

- ON and OFF buttons for local operation of the compressor and cold head
- Automatic restart after power interruptions
- Front panel LCD display of elapsed run time and system status information
- Interlock to prevent starting the compressor and cold head if main power phase is incorrect
- Automatic relief from an over pressure condition
- Scroll compressor designed and build specifically for helium service
- 30,000 hour maintenance interval

## Specifications

<b>Electrical Specifications:</b>	220 V3~ (±10%), 50Hz 220/230 V3~ (±10%), 60Hz
<b>Power Consumption and Operation:</b>	3.7 kW, 10 amperes full load at 220 V3~, 50 Hz 4.3 kW, 12.5 amperes full load at 220 V3~, 60 Hz 68 amperes locked rotor current
<b>Ambient Temperature:</b>	4° C to 40° C (40° F to 104° F)
<b>Cooling Water Inlet Temperature:</b>	4° C to 21° C (40° F to 70° F)
<b>Cooling Water Flow Rate:</b>	5.7 to 9.5 L/min (1.5 to 2.5 gpm) minimum
<b>Dimensions (HxWxD):</b>	504 mm x 430 mm x 485 mm 19.8" x 16.9" x 19.1"
<b>Weight:</b>	75 kg (165 lbs.)



## For Information in: Asia

**Sumitomo Heavy Industries, Ltd.**  
ThinkPark Tower  
Cryogenics Division, Sales Department  
1-1, Osaki 2-Chome, Shinagawa-Ku  
Tokyo 141-6025, Japan  
Phone: +81-3-6737-2550  
Fax: +81-3-6866-5114  
E-mail: cryo@shi.co.jp

**Sumitomo Heavy Industries (Shanghai), Ltd.**  
Room 1301, Xingdi Business Building  
1698 Yishan Road, Minhang District  
Shanghai 201103, P.R. China  
Phone: +86-21-3462-7660  
Fax: +86-21-3462-7661  
E-mail: Jin-Lin\_Gao@shi.co.jp

**SHI Cryogenics of Korea Co., Ltd.**  
Room 619-620, Venture Valley  
#958 Goseck-Dong, Kwonsun-Gu  
Suwon-City, Gyeonggi-Do, South Korea  
Phone: +82-31-278-3050  
Fax: +82-31-278-3053  
E-mail: Won\_Bum\_Lee@shi.co.jp

## Europe

**Sumitomo (SHI) Cryogenics of Europe, Ltd.**  
3 Hamilton Close, Houndmills Industrial Estate  
Basingstoke, Hampshire RG21 6YT  
United Kingdom  
Phone: +44 (0) 1256 853333  
Fax: +44 (0) 1256 471507  
E-mail: uksales@shicryogenics.com

**Sumitomo (SHI) Cryogenics of Europe, GmbH**  
Daimlerweg 5a  
Darmstadt D-64293, Germany  
Phone: +49 (0) 6151 860 610  
Fax: +49 (0) 6151 800 252  
E-mail: contact@sumitomocryo.de

**World Wide Web:** [www.shicryogenics.com](http://www.shicryogenics.com)

## United States

**Sumitomo (SHI) Cryogenics of America, Inc.**  
1833 Vultee Street  
Allentown, PA 18103  
Phone: +1 610-791-6700  
Fax: +1 610-791-0440  
E-mail: sales@shicryogenics.com

**Sumitomo (SHI) Cryogenics of America, Inc.**  
456 Oakmead Parkway  
Sunnyvale, CA 94085  
Phone: +1 408-736-4406  
Fax: +1 408-736-7325

**Sumitomo (SHI) Cryogenics of America, Inc.**  
1500-C Higgins Road  
Elk Grove Village, IL 60007  
Phone: +1 847-290-5801  
Fax: +1 847-290-1984