

HC-4E1 HELIUM COMPRESSOR



SHI Cryogenics Group's HC-4E1 compressor is designed to operate the Marathon® CP-8, CP-8LP and CP-250LP cryopumps along with a range of 10K cryocoolers. The compressor utilizes a water-cooled rotary compressor capsule designed exclusively to deliver high pressure, oil-free helium to cryogenic refrigerators. It is a reliable and compact system for both vacuum and laboratory operations, and like all Sumitomo Cryogenics products, is supported by a worldwide sales and service center network.

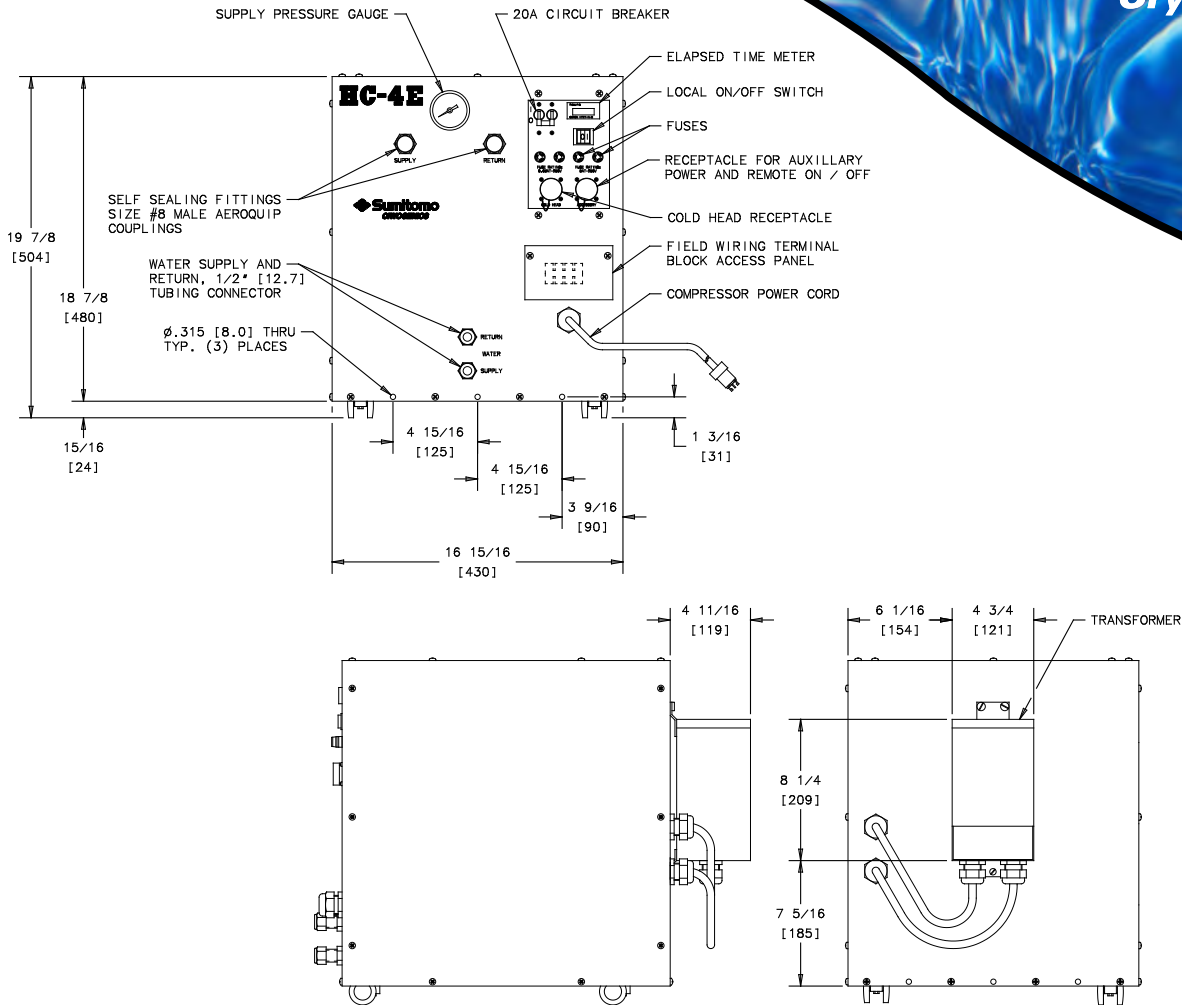
For customers wishing to upgrade their old systems, the HC-4E1 is a direct replacement for the HC-4MK2-1 and HC-2D-1 compressors.

Features

- Front panel access for all utilities and settings
- ON and OFF buttons for local operation of the compressor and cold head
- Automatic restart after power interruptions
- Front panel LCD display of elapsed run time
- New oil management system with a high efficiency oil separator
- 30,000 hour maintenance interval
- Automatic relief from over pressurization

Specifications

Electrical Specifications:	200 V~, 230/240 V~ (±5%), 50 Hz 200 V~, 208/230 V~ (±5%), 60 Hz
Power Consumption and Operation:	2.6 kW, 13 amperes full load at 200 V~, 50 Hz 3.0 kW, 15.5 amperes full load at 208 V~, 60 Hz 68 amperes locked rotor current
Ambient Temperature:	4° C to 40° C (40° F to 104° F)
Cooling Water Inlet Temperature:	4° C to 27° C (40° F to 80° F)
Cooling Water Flow Rate:	2.7 L/min (0.7 gpm) minimum
Dimensions (HxWxD):	504 mm x 430 mm x 485 mm 19.8" x 16.9" x 19.1"
Weight:	75 kg (165 lbs.) 82 kg (180 lbs.) (with transformer)



For Information in: Asia

Sumitomo Heavy Industries, Ltd.
ThinkPark Tower
Cryogenics Division, Sales Department
1-1, Osaki 2-Chome, Shinagawa-Ku
Tokyo 141-6025, Japan
Phone: +81-3-6737-2550
Fax: +81-3-6866-5114
E-mail: cryo@shi.co.jp

Sumitomo Heavy Industries (Shanghai), Ltd.
Room 1301, Xingdi Business Building
1698 Yishan Road, Minhang District
Shanghai 201103, P.R. China
Phone: +86-21-3462-7660
Fax: +86-21-3462-7661
E-mail: Jin-Lin_Gao@shi.co.jp

SHI Cryogenics of Korea Co., Ltd.
Room 619-620, Venture Valley
#958 Goseck-Dong, Kwonsun-Gu
Suwon-City, Gyeonggi-Do, South Korea
Phone: +82-31-278-3050
Fax: +82-31-278-3053
E-mail: Won_Bum_Lee@shi.co.jp

Europe

Sumitomo (SHI) Cryogenics of Europe, Ltd.
3 Hamilton Close, Houndmills Industrial Estate
Basingstoke, Hampshire RG21 6YT
United Kingdom
Phone: +44 (0) 1256 853333
Fax: +44 (0) 1256 471507
E-mail: uksales@shicryogenics.com

Sumitomo (SHI) Cryogenics of Europe, GmbH
Daimlerweg 5a
Darmstadt D-64293, Germany
Phone: +49 (0) 6151 860 610
Fax: +49 (0) 6151 800 252
E-mail: contact@sumitomocryo.de

World Wide Web: www.shicryogenics.com

United States

Sumitomo (SHI) Cryogenics of America, Inc.
1833 Vultee Street
Allentown, PA 18103
Phone: +1 610-791-6700
Fax: +1 610-791-0440
E-mail: sales@shicryogenics.com

Sumitomo (SHI) Cryogenics of America, Inc.
456 Oakmead Parkway
Sunnyvale, CA 94085
Phone: +1 408-736-4406
Fax: +1 408-736-7325

Sumitomo (SHI) Cryogenics of America, Inc.
1500-C Higgins Road
Elk Grove Village, IL 60007
Phone: +1 847-290-5801
Fax: +1 847-290-1984