

| MATERIAL LEGEND | |
|-------------------------|-----------|
| DESIGNATION | MATERIAL |
| [Cross-hatched pattern] | ALUMINUM |
| [Diagonal line pattern] | STN. STL. |

DIMENSIONS ARE IN MILLIMETERS (mm) UNLESS OTHERWISE SPECIFIED.

Sumitomo
(SHI) CRYOGENICS OF AMERICA, INC.

NO. 265121A1001R000-C

SHEET 1 OF 2

| PROJECT: cryopumps_cp250lp | | TITLE | |
|----------------------------|-----------|-----------------------------------|-------|
| OUTLINE DRAWING | | CRYOPUMP ASSEMBLY, CP-250LP (10") | |
| 50/60 HZ., ISO 250 FLANGE | | | |
| REV. CRSP NO. | DATE | BY | ENGR. |
| | 24 OCT 07 | JPK | ERS |
| | | YB | RGS |
| | | MFG. | QUAL. |

NOTE:
 PORTS A, B, C & D ARE ALL 1.33" MINI-CONFLAT FLANGES.

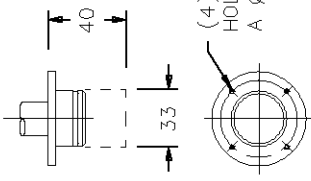
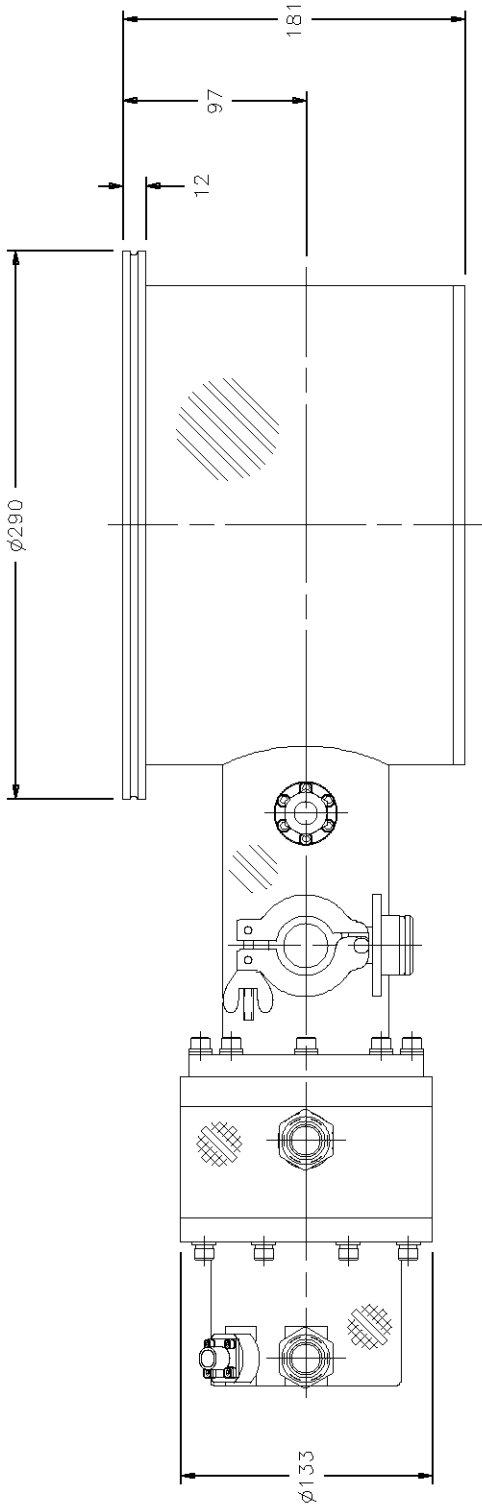
ELECTRICAL CONNECTOR, 4-PIN, DETORONICS #DT02H-8-4PN

GAS SUPPLY FITTING, MALE HALF COUPLING, AEROQUIP #5400-S2-8UL w/ DUST CAP AEROQUIP #5400-S6-8

RELIEF VALVE (SEE DETAIL Z ON SHT. 2)

PROPRIETARY NOTICE: THIS DOCUMENT IS THE PROPERTY OF SUMITOMO (SHI) CRYOGENICS OF AMERICA, INC., AND SHALL NOT, WITHOUT THE EXPRESS WRITTEN PERMISSION OF SCAI, BE REPRODUCED OR COPIED IN WHOLE OR IN PART BY ANY PERSON OUTSIDE OF SCAI OR, IF LOANED BY SCAI TO SUCH PERSON, SHALL NOT BE USED FOR FURNISHING INFORMATION TO ANY THIRD PARTY OR FOR ANY PURPOSE OTHER THAN THAT FOR WHICH IT IS LOANED.

FORM NO. DD102089-A Rev. B (3/00)



(4) #6-32UNC TAPPED HOLES EQ. SPACED ON A Ø44.5 B.C.

DETAIL Z- RELIEF VALVE
 KEEP 33 mm DIA. x 40 mm LG. REGION FREE OF OBSTRUCTIONS THAT WOULD RESTRICT THE OPERATION OF THE RELIEF VALVE POPPET.

| MATERIAL LEGEND | |
|-----------------|-----------|
| DESIGNATION | MATERIAL |
| | ALUMINUM |
| | STN. STL. |

DIMENSIONS ARE IN MILLIMETERS (mm) UNLESS OTHERWISE SPECIFIED.

PROJECT: cryopumps_cp250lp

| REV. | CRSP NO. | DATE | BY | MFG. | YB | RGS | ERS | ENGR. |
|------|----------|-----------|-----|------|----|-----|-----|-------|
| | | 24 OCT 07 | JPK | | | | | |

TITLE

OUTLINE DRAWING
 CRYOPUMP ASSEMBLY, CP-250LP (10")
 50/60 HZ., ISO 250 FLANGE

Sumitomo
 (SHI) CRYOGENICS OF AMERICA, INC.
 NO. 265121A100|R000-C
 SHEET 2 OF 2

PROPRIETARY NOTICE: THIS DOCUMENT IS THE PROPERTY OF SUMITOMO (SHI) CRYOGENICS OF AMERICA, INC., AND SHALL NOT, WITHOUT THE EXPRESS WRITTEN PERMISSION OF SCAI, BE REPRODUCED OR COPIED IN WHOLE OR IN PART BY ANY PERSON OUTSIDE OF SCAI OR, IF LOANED BY SCAI TO SUCH PERSON, SHALL NOT BE USED FOR FURNISHING INFORMATION TO ANY THIRD PARTY OR FOR ANY PURPOSE OTHER THAN THAT FOR WHICH IT IS LOANED.
 FORM NO. DD102089-A Rev. B (3/00)