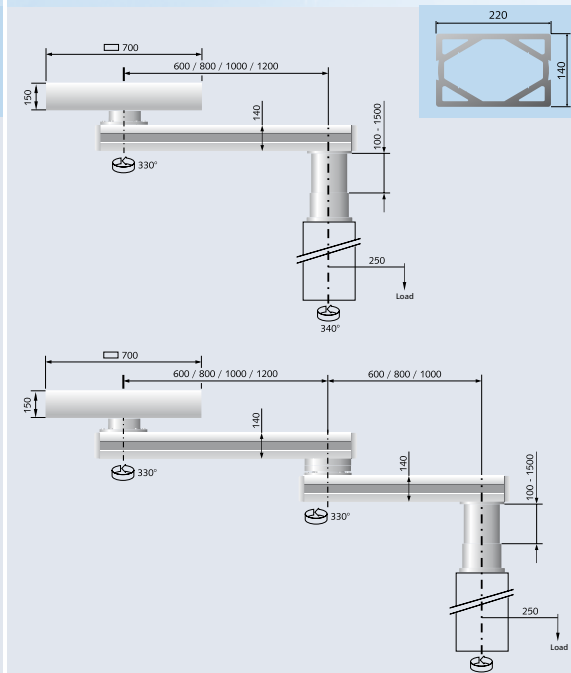
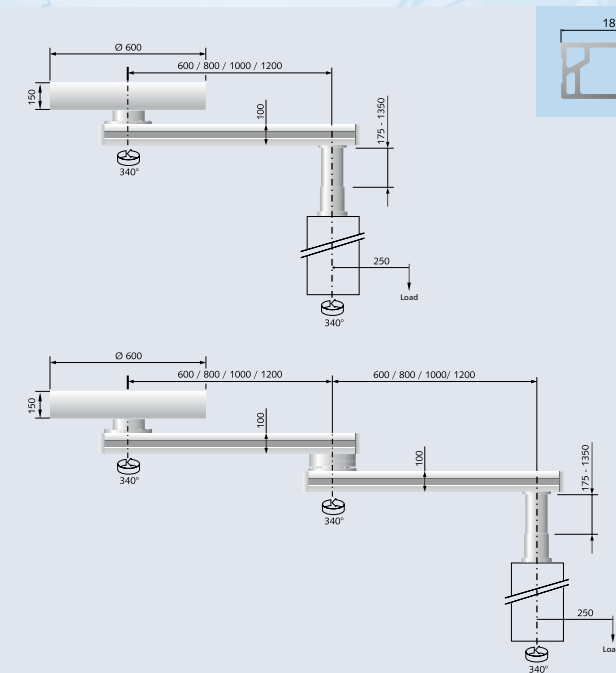


Technical Data:

Type	MAXIMUS 1000
Ceiling plate	48.3 kg
Interface plate	15.3 kg / 38.2 kg
Extension arms 600/800/1000/1200 mm	37.0 kg / 40.0 kg / 43.5 kg / 47.0 kg
Adapter bearing	8.3 kg (dual arm system)
Drop tube (weight per meter)	12 kg per meter
Opening for routing lines	66,56 cm ² cross section
Mark of conformity	CE
Test symbol	UL
Initiating forces	single arm: < 30 N, dual arm: < 50 N
Stop adjustment	with installed extension arm, steplessly adjustable, dampened stops throughout a range of 340°
Individual design	on demand
Colors	Powder-coated surface RAL 9010 texture (other RAL-colors on request)
Service Head mounting	Mechanical brake + pneumatic brake
Extension arm mounting	Pneumatic brake

Type	MAXIMUS 2000
Ceiling plate	85 kg
Interface plate	55 kg
Extension arms 600/800/1000/1200 mm	35 kg / 40 kg / 46 kg / 51 kg
Adapter bearing	15 kg (dual arm system)
Drop tube (weight per meter)	7 kg per meter / 15 kg weight bearing
Opening for routing lines	110 cm ² cross section
Mark of conformity	CE
Test symbol	UL
Initiating forces	single arm: < 30 N, dual arm: < 50 N
Stop adjustment	with installed extension arm, steplessly adjustable, dampened stops throughout a range of 330°
Individual design	on demand
Colors	Powder-coated surface RAL 9010 texture (other RAL-colors on request)
Service Head mounting	Pneumatic brake / additionally mechanical brake
Extension arm mounting	Pneumatic brake



Max. load* MAXIMUS 1000

Version:		Dual arm
Single arm		
Extension arm 600 mm:	580 kg	Extension arm 600/600 mm: 260 kg
		Extension arm 600/800 mm: 220 kg
Extension arm 800 mm:	420 kg	Extension arm 800/800 mm: 180 kg
Extension arm 1000 mm:	320 kg	Extension arm 1000/600 mm: 180 kg
		Extension arm 1000/800 mm: 150 kg
		Extension arm 1000/1000 mm: 130 kg
Extension arm 1200 mm:	260 kg	Extension arm 1200/1000 mm: 110 kg

Max. load* MAXIMUS 2000

Version:		Dual arm
Single arm		
Extension arm 600 mm:	1000 kg	Extension arm 600/600 mm: 440 kg
		Extension arm 600/800 mm: 360 kg
Extension arm 800 mm:	730 kg	Extension arm 800/800 mm: 300 kg
Extension arm 1000 mm:	570 kg	Extension arm 1000/600 mm: 300 kg
		Extension arm 1000/800 mm: 250 kg
		Extension arm 1000/1000 mm: 220 kg
Extension arm 1200 mm:	450 kg	Extension arm 1200/1000 mm: 170 kg

* according to EN 60601-1:2006

PERFECT MOVEMENT



Heavy Duty Systems

Pendant systems for ceiling mounting

up to 1000 kg
up to 580 kg

MAXIMUS 1000 / MAXIMUS 2000

Pendant systems up to 1000 kg
(2200 lbs)

MEDGAS-TECHNIK
Medical - Technology

MEDICAL INSTALLATION,
CONSTRUCTION AND EQUIPMENT

Medgas-Technik GmbH Phone + 49 (0) 64 86 / 91 10 60
Lahnstraße 6-8 Fax + 49 (0) 64 86 / 91 10 62
56370 Berndroth E-Mail info@medgas-technik.de
Germany www.medgas-technik.de

The quality management system at Medgas Technik GmbH is certified according to ISO 13485, ISO 9001 and Annex II of Directive 93/42/EEC (Medical devices).

MEDGAS-TECHNIK
Medical - Technology

Heavy Duty Systems

MAXIMUS 1000 / MAXIMUS 2000

Ceiling supply for Intensive Care, Surgery - HF Surgery, Monitoring, Endoscopy - and Anaesthesia

In the medical field

Support of medical devices, used in:
- Operating rooms
- Intensive Care Units

High flexibility - high loads

According to the requirements of mobility the systems **MAXIMUS 1000** and **MAXIMUS 2000** can be configured as a single or dual arm system or in combination with each other. The modular design also allows for a combination with the pendant systems **FIBULA** and **HUMERUS**.

The pendant systems together with the Service Head MK offers the opportunity to create the optimal workplace in Intensive Care, Surgery and Anaesthesia. Loads up to 1000 kg (2200 lbs) are achievable depending on the arm version.

Highest action ranges...

for highest ergonomic requirements. These Heavy Duty Systems allow action ranges up to 2,500 mm (98 inch) by combinations of the extension arms. With the Service Head MK operating ranges up to 3,020 mm (119 inch) are possible. Pivoting angles of 340° in the extension arms offer a maximum freedom of movement and space to operate.



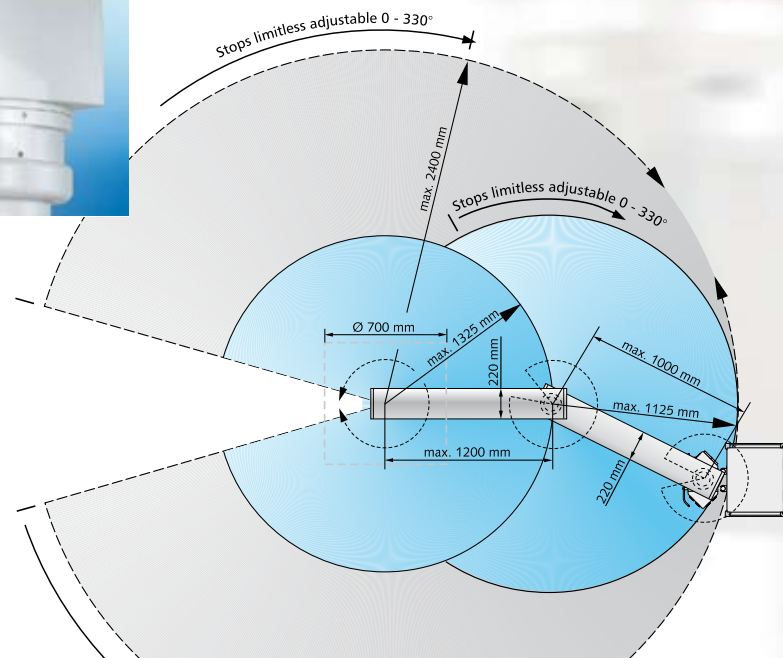
MAXIMUS 1000 dual arm and MAXIMUS 2000 single arm in combination



MAXIMUS 2000 dual arm system with Service Head MK



MAXIMUS 2000 as dual arm construction



Pendant systems for a maximum freedom of movement and quality

Technically superior

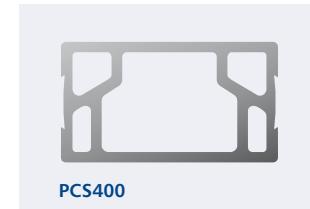
The extension arms of the **MAXIMUS 1000** and **MAXIMUS 2000** family are made of extruded aluminum. The unique **Penta-Cubic-Systems (PCS)** guarantee an extremely high torsional stiffness - even with highest loads. The single components are assembled using flanged connections. Large inner cross-sections in the extension arms and the inner diameter of the solid bearings allow easy routing of multiple cables and services.



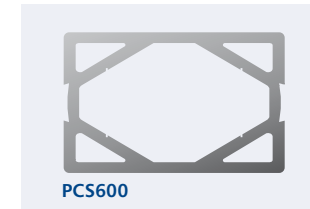
MAXIMUS 1000



MAXIMUS 2000



PCS400



PCS600

The unique **Penta-Cubic-Systems** PCS400 und PCS600 with the 5-chambered-system

Comfort and safety...

in the range of Hook's Law according to IEC 60601. Even with highest loads the Service Heads stay in an accurately and straight condition. Without vertical misalignment all devices at the workplace can be positioned securely, easily and ergonomically. This is possible because of pre-stressed grooved and beveled axial laying grooved ball bearings in the articulations. Due to this technology a new dimension of comfortable movement, safety and torsional stiffness is reached.

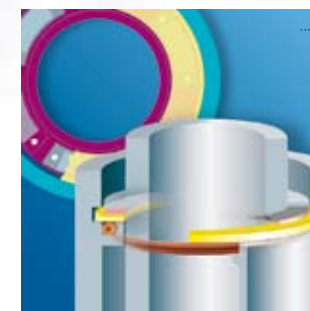


MAXIMUS 2000 with Service Head MK

580 kg
(1270 lbs)
1000 kg
(2200 lbs)

Pneumatic brakes

The long lasting, patented pneumatic hybrid brakes can be operated with up to 8 bar pressure systems. It ensures that the system stays stable in every position. The braking torques are adjustable. Limitless, dampened stops can be adjusted in the field and prevent a "hart" stop of the system.



The pneumatic brake

Individual design

As a customer specific individual design **MEDGAS** offers on the outside located colored strips as well as customer specific imprints and logos.



Customer-specific design variants